

# Optoelectronic level switch

## For the process industry

### Models OLS-S, OLS-H

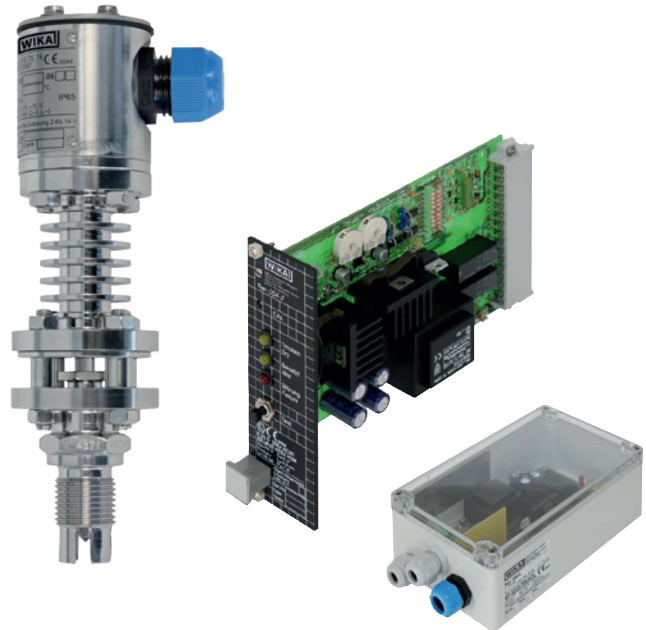
WIKA data sheet LM 31.01

#### Applications

- Chemical, petrochemical, natural gas, offshore industries
- Shipbuilding, machine building, refrigerator units
- Power generating equipment, power plants
- Process and drinking water treatment
- Wastewater and environmental engineering

#### Special features

- Temperature ranges from -269 ... +400 °C
- Versions for pressure ranges from vacuum to 500 bar
- Special versions: High pressure, interface measurement
- Signal processing is made using a separate model OSA-S switching amplifier



**Fig. left: Model OLS-H, high-pressure version**  
**Fig. centre: Model OSA-S, 19" plug-in card**  
**Fig. right: Model OSA-S, polycarbonate add-on case**

#### Description

The model OLS optoelectronic level switch is used for the detection of limit levels in liquids. This is widely independent of physical characteristics such as refractive index, colour, density, dielectric constant and conductivity. Measurement is also done in small volumes.

The switches consist of an infrared LED and a phototransistor. The light of the LED is directed into a prism. So long as the sensor tip of the prism is in the gas phase, the light is reflected within the prism to the receiver. When the liquid in the vessel rises and wets approximately 2/3 of the glass tip, the infrared lightbeam into the liquid is interrupted and only a small portion reaches the receiver. This difference is evaluated by the electronics and triggers a switching operation.



The instruments are very robust and designed for rough operating conditions.

The cable to the switching amplifier does not need any shield, enabling easy and economic cabling. The model OSA-S switching amplifier is operated with an intrinsically safe signal circuit. For the 19" plug-in card version, all operating elements, except for the switch for changing the alarm direction and the potentiometers for the time delay, can be accessed from the front. If incorporated in an add-on case, a transparent cover allows seeing the switching statuses.

## Model overview

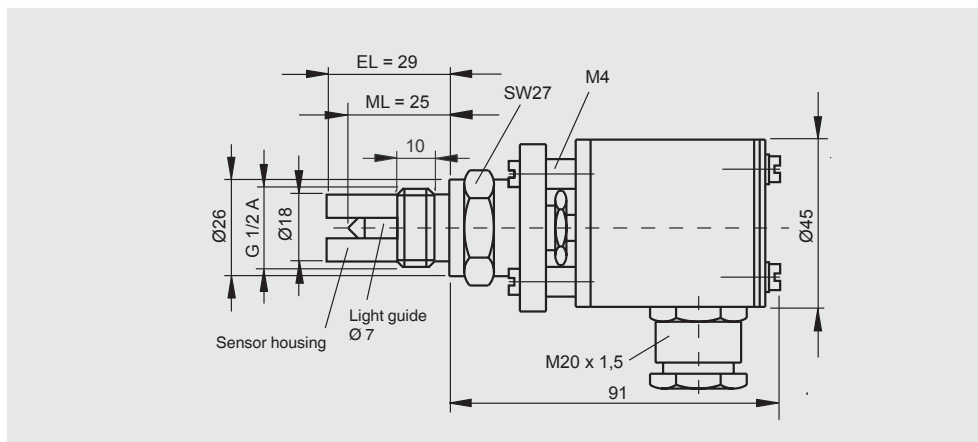
Model	Description	Max. pressure in bar		Medium temperature	Ambient temperature
		Standard	High-pressure		
OLS-S, OLS-H	Optoelectronic level switch	250 bar	500 bar	-269 ... +400 °C	-65 ... +95 °C
OSA-S	Switching amplifier for optoelectronic level switches	-		-	-40 ... +60 °C

## Approvals

Logo	Description	Country
	<b>EU declaration of conformity</b> <ul style="list-style-type: none"> <li>■ EMC directive</li> <li>■ Low voltage directive</li> </ul>	European Union
	<b>EAC (option)</b> <ul style="list-style-type: none"> <li>■ EMC directive</li> <li>■ Low voltage directive</li> </ul>	Eurasian Economic Community

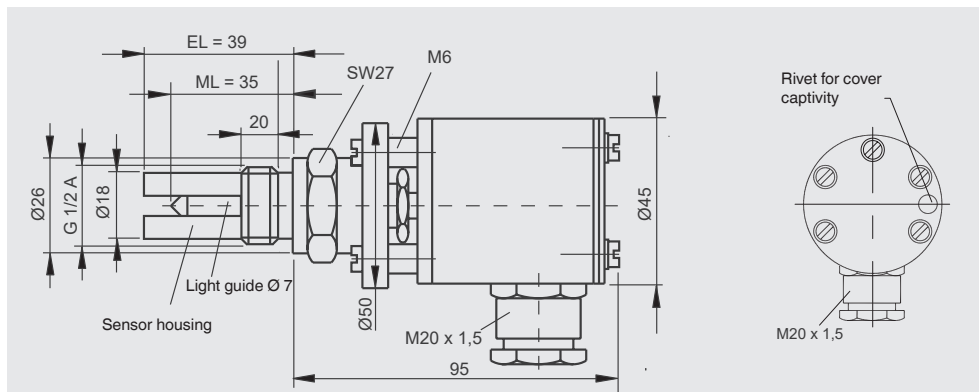
Approvals and certificates, see website

## Optoelectronic level switch, standard version Model OLS-S



Specifications	
<b>Switch point ML</b>	Standard: 25 mm, with extension 50 ... 960 mm
<b>Insertion length EL</b>	Standard: 29 mm (ML + 4 mm)
<b>Medium temperature</b>	-65 ... +250 °C
<b>Ambient temperature</b>	-65 ... +95 °C
<b>Pressure range</b>	0 ... 250 bar
<b>Measurement type</b>	Level measurement with glass tip shape V Option: Interface layer
<b>Glass protection</b>	Guard finger
<b>Process connection</b>	G 1/2 A, 1/2 NPT Option: Flange
<b>Material</b>	Process connection: stainless steel 1.4571 Case: 1.4301 Option: Hastelloy, other materials on request
<b>Light guide</b>	Clad core glass Option: quartz (ML: max. 200 mm) sapphire (ML: max. 60 mm)
<b>Mounting position</b>	As required
<b>Measuring accuracy</b>	±0.5 mm
<b>Repeat accuracy</b>	±0.1 mm
<b>Light source</b>	IR light 930 nm
<b>Ambient light</b>	Max. 100 Lux
<b>Cable gland</b>	M20 x 1.5
<b>Terminal connection</b>	3 x 2.5 mm <sup>2</sup>
<b>Ingress protection</b>	IP66 per IEC/EN 60529

# Optoelectronic level switch, high-pressure version Model OLS-H

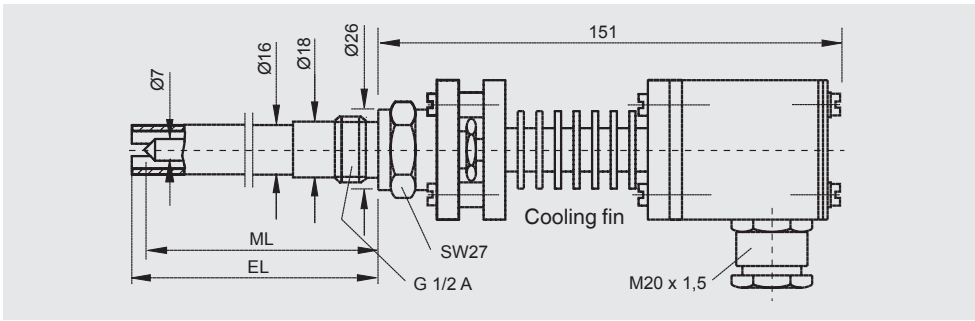


## Specifications

<b>Switch point ML</b>	Standard: 35 mm, with extension 60 ... 960 mm
<b>Insertion length EL</b>	Standard: 39 mm (ML + 7 mm)
<b>Medium temperature</b>	-65 ... +250 °C
<b>Ambient temperature</b>	-65 ... +95 °C
<b>Pressure range</b>	0 ... 500 bar
<b>Measurement type</b>	Level measurement with glass tip shape V Option: Interface layer
<b>Glass protection</b>	Guard finger
<b>Process connection</b>	G 1/2 A, 1/2 NPT Option: Flange
<b>Material</b>	Process connection: stainless steel 1.4571 Case: 1.4301 Option: Hastelloy, other materials on request
<b>Light guide</b>	Clad core glass Option: quartz (ML: max. 200 mm) sapphire (ML: max. 60 mm)
<b>Mounting position</b>	As required
<b>Measuring accuracy</b>	±0.5 mm
<b>Repeat accuracy</b>	±0.1 mm
<b>Light source</b>	IR light 930 nm
<b>Ambient light</b>	Max. 100 Lux
<b>Cable gland</b>	M20 x 1.5
<b>Terminal connection</b>	3 x 2.5 mm <sup>2</sup>
<b>Ingress protection</b>	IP66 per IEC/EN 60529

# Options for models OLS-S and OLS-H

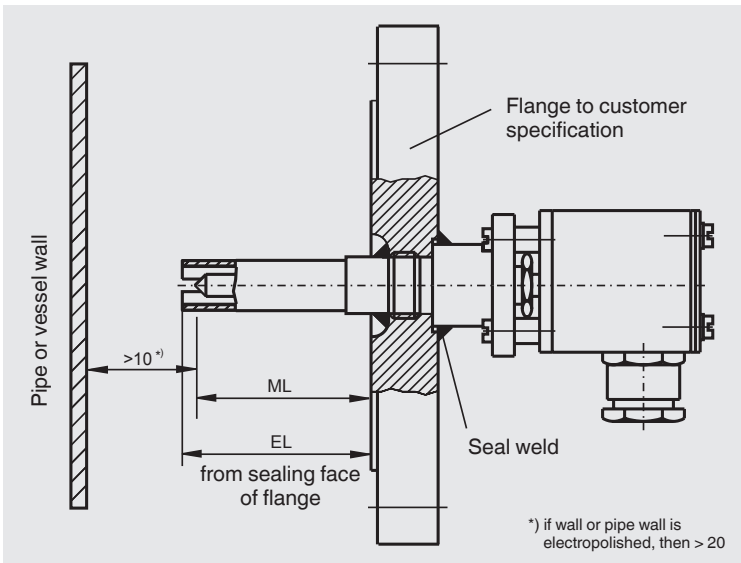
## Cooling fin for high- and low-temperature version



### Specifications

Temperature range	-269 ... +400 °C
Ambient temperature	-65 ... +95 °C

## Flanged version



Process connection	Nominal width	Pressure rating	Sealing face
Flange EN 1092-1	DN 20 ... DN 50	PN 16 ... PN 400	B1, B2, C, D, E
Flange DIN	DN 20 ... DN 50	PN 16 ... PN 400	C, F, N
Flange ANSI	1/2" ... 2"	Class 150 ... Class 2500	RF, RTJ, FF

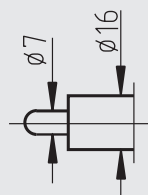
## Version with sieve

Protection from gas bubble formation at the glass tip

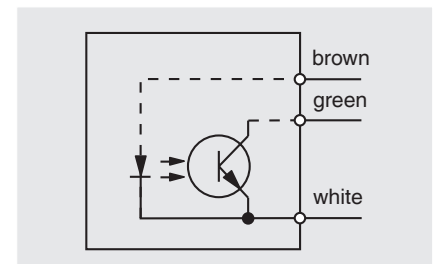


## Version for interface layer

Open glass tip, shape U

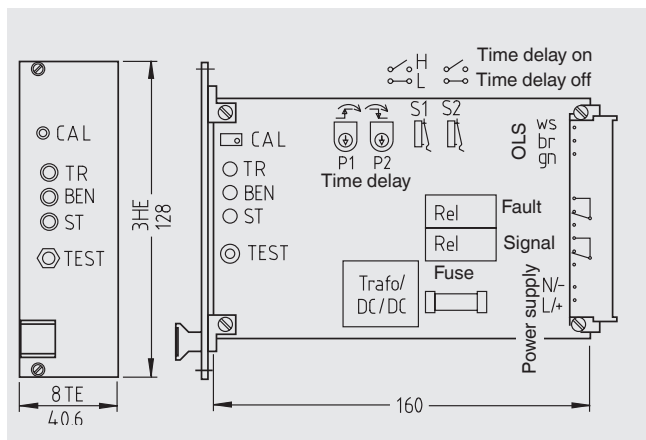


## Electrical connection diagram

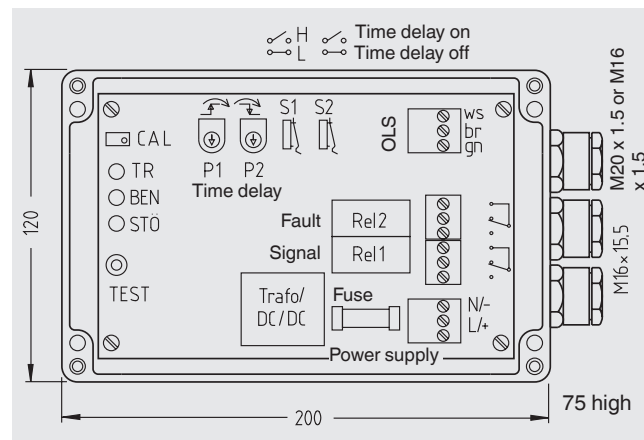


# Switching amplifier for optoelectronic level switch Model OSA-S

## Version 19" plug-in card



## Version in polycarbonate add-on case



### Specifications

<b>Ambient temperature</b>	-25 ... +60 °C
<b>Power supply</b>	AC 230 V, AC 15/120 V, AC 24 V, DC 24 V
<b>Power consumption</b>	2.8 VA, 3 W
<b>Outputs</b>	Signal relay, change-over contact, 250 V, 3 A, 100 VA Failure relay, change-over contact, 250 V, 3 A, 100 VA
<b>Cable gland</b>	-
<b>Max. connection cross-section</b>	2.5 mm <sup>2</sup>
<b>Max. cable length</b>	175 ... 600 m (with 0.5 ... 1.5 mm <sup>2</sup> )
<b>Ingress protection</b>	IP20 per IEC/EN 60529

### Specifications

<b>Ambient temperature</b>	-40 ... +40 °C
<b>Power supply</b>	AC 230 V, AC 15/120 V, AC 24 V, DC 24 V
<b>Power consumption</b>	2.8 VA, 3 W
<b>Outputs</b>	Signal relay, change-over contact, 250 V, 3 A, 100 VA Failure relay, change-over contact, 250 V, 3 A, 100 VA
<b>Cable gland</b>	M16 x 1.5 / M20 x 1.5 Ex: blue
<b>Max. connection cross-section</b>	2.5 mm <sup>2</sup>
<b>Max. cable length</b>	175 ... 600 m (with 0.5 ... 1.5 mm <sup>2</sup> )
<b>Ingress protection</b>	IP65 per IEC/EN 60529

### Application information

- 32-pin connector per DIN 41612, form F
  - Operating elements accessible from the front
- Exceptions:
- Switch for changing the alarm direction
  - Potentiometers for time delay

### Application information

- Transparent cover, good readability of the LED displays for dry/wetted/fault
- Ingress protection IP65 per IEC/EN 60529, field use possible

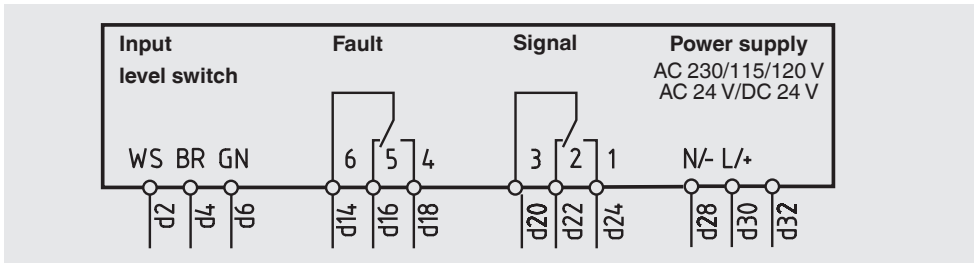
### General data

- Functions
- Alarm direction selectable
  - On-delay and drop-out delay for signal relay settable up to approx. 8 s
- Monitoring
- Wire break signal circuit
  - Short-circuit signal circuit
  - Internal power supply, fail-safe

### Design data

<b>Max. external inductance <math>L_{max}</math></b>	0.5 mH
<b>Max. external capacitance <math>C_{max}</math></b>	3 $\mu$ F
<b><math>U_0</math></b>	$\leq 9.6$ V
<b><math>I_0</math></b>	$\leq 149$ mA
<b><math>P_0</math></b>	$\leq 1.0$ W

## Electrical connection diagram



## Switching amplifier, model OSA-S

Version	Power supply	Model	Order number
Polycarbonate add-on case	DC 24 V non-potential-free	OSA-SB	500283
	AC 24 V	OSA-SB	500279
	AC 115/120 V	OSA-SA	on request
	AC 230 V	OSA-SA	500275
19" plug-in card	DC 24 V non-potential-free	OSA-SB	500284
	AC 24 V	OSA-SB	500280
	AC 115/120 V	OSA-SA	500278
	AC 230 V	OSA-SA	500277

## Ordering information

To order the described product the order number is sufficient.

Alternatively:

Level switches: Model / Process connection / Measurement type / Switch point ML / Process specifications (operating temperature and pressure) / Material / Glass / Sieve

Switching amplifiers: Model / Case / Power supply

© 01/2010 WIKA Alexander Wiegand SE & Co. KG, all rights reserved.  
 The specifications given in this document represent the state of engineering at the time of publishing.  
 We reserve the right to make modifications to the specifications and materials.

